

## BVO407F-X

### 700 TVL IR Bullet Camera

#### Product Overview

Bavono BVO407F-X is a weatherproof night vision camera featuring a simple contemporary design, built-in OSD and UTC (up-the-coax) control, high stability, and a durable metal exterior. UTC control technology enables control of the OSD menu via a coaxial cable with the use of a remote controller, which makes it easier and more convenient to set a camera after installation. This bullet camera contains 48 built-in infrared LEDs with an effective range of up to 40-60 meters, and achieved an Ingress Protection Rating of IP66. BVO407F-X is suitable for both indoor and outdoor applications.

#### Infrared Technology

A human eye can only detect wavelengths within the visible spectrum, which is only a small portion of the electromagnetic spectrum. Visible colors ranging from the longest to shortest are red, orange, yellow, green, blue, and violet. Colors with a longer wavelength than red are known as infrared radiation, and colors with a shorter wavelength than violet are known as ultraviolet radiation. Infrared bounces off objects in darkness and enters a special lens which is then generated into an image. This enables images to be captured in dark settings where the surroundings are not visible to humans.

#### Automatic White Balance

Colors are affected by different lighting sources and appear differently under sunlight due to the change in color temperature. Human eyes have the ability of adapting to the change in color temperature, but cameras often have difficulty adjusting so that what appears white to humans may not be rendered correctly in an image resulting in color deviation. Bavono cameras feature an automatic white balance function with a manual option which enables colors to be rendered correctly regardless of lighting source to eliminate the need to reset colors subsequently.

#### Backlight Compensation

Backlight Compensation avoids underexposure of an image when the background of the main subject is illuminated. This mechanism works by ignoring the areas of high illumination to prevent the main subject becoming too dark.

#### Absolute Color Accuracy

Bavono cameras utilize High Resolution Imaging to deliver more realistic colors and contrast enhancement.

#### Features

- ▶ 1/3" Sony Super HAD II CCD
- ▶ Ultra High Resolution of more than 700 TV Lines
- ▶ Minimum Illumination of 0.05 Lux at F1.2 and 0 Lux with IR On
- ▶ The defog function enhances picture clarity during conditions such as rain, fog, and haze
- ▶ Digital Wide Dynamic Range
- ▶ 48 IR LEDs
- ▶ IR LED Effective Range Reaches Up to 40-60 Meters
- ▶ UTC (up-the-coax) technology for remote OSD configuration (compatible UTC controller is required)
- ▶ Ingress Protection Rating of IP66
- ▶ Power Supply: DC 12V



1/3" SONY Super HAD CCD II
Image Sensor

700 TVL
Resolution

0.05 Lux / F1.2
Min. illumination

48 Units
LEDs

40 - 60 m
IR LED Range

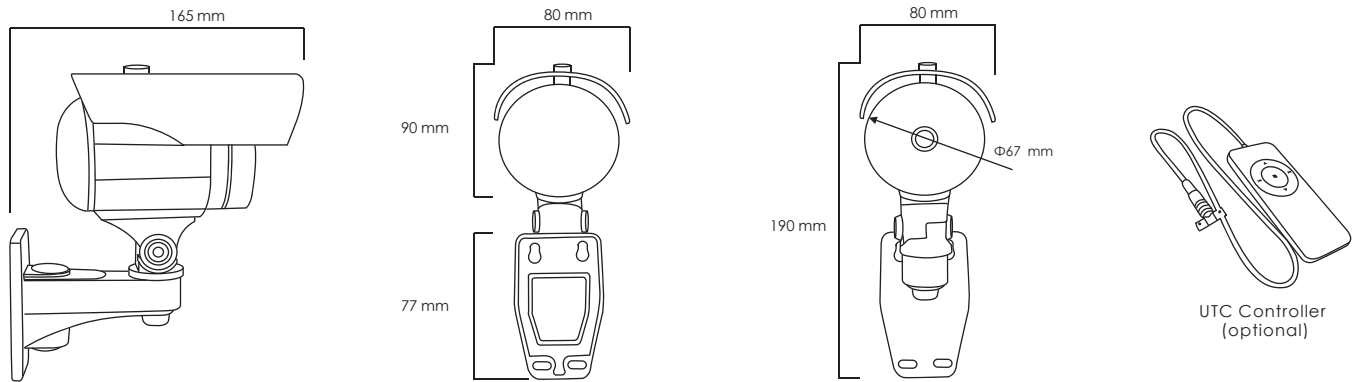
UTC
OSD Control

IP 66
Ingress Protection

D-WDR
Wide Dynamic Range

Defog
Advanced

## Dimensions



## Specifications

Model	BVO407F-X
Video Standard	NTSC / PAL
Image Sensor	1/3" Sony Super-HAD II CCD
Total Picture Elements	1020(H) X 508(V) / 1020(H) X 596(V)
Effective Picture Elements	976(H) X 494(V) / 976(H) X 582(V)
Synchronizing System	Internal, AC Line Lock
Horizontal Resolution	Color: More than 700 TVL B/W: More than 800 TVL
Minimum Illumination	Color: 0.05 Lux@F1.2(50IRE) / 0.06 Lux(15IRE) B/W: 0.01 Lux@F1.2(50IRE) / 0.006 Lux(15IRE)
IR LED	48 Units
IR LED Effective Range	Up to 40-60 Meters
Video S/N Ratio	52dB
OSD Language	English / Simplified Chinese / Traditional Chinese
Day / Night Mode	Auto / Day / Night / Ext / CDS
Highlight Compensation (HLC)	Low / Middle / High
High Speed Shutter	Indoor Outdoor (1/60(1/50) ~ 1/120Ksec)
Flickerless Mode	OFF / ON
WDR	AUTO / MANUAL ( Low / Middle / High)
Auto Gain Control (AGC)	Level Setting
ALC (Auto Level Control)	AI Lens (DC)
Defog	AUTO / MANUAL (Low / Middle / High)
Digital Noise Reduction (DNR)	Off / Low / Middle / High (Adaptive 2D)
Gamma	0.35 ~ 0.70
White Balance	ATW / Push / Manual
Camera No. / ID	Off / On (Max. 255 NO, 8ea ID/1Line)
Motion Detection	4 zones (On/Off, Position, Sensitivity)
Privacy Masking	8 zones (On/Off, Color, Position)
Lens	3.6mm (6mm and 8mm optional)
Video Output	VBS 1.0V p-p (75ohm Terminated)
Protection Rating	IP66
Power Input	DC12V ± 10%
Power Consumption	Less than 1.2W
Operating Temperature	-10°C ~ +50°C
Operating Humidity	Less than 90%
Shell Material	Metal
Dimension (mm)	190(L) x 85(W) x 250(H)
Gross Weight (g)	820

## Applications



Offices



Warehouses



Hotels



Pubs



Retail Stores



Car Parks



Parks